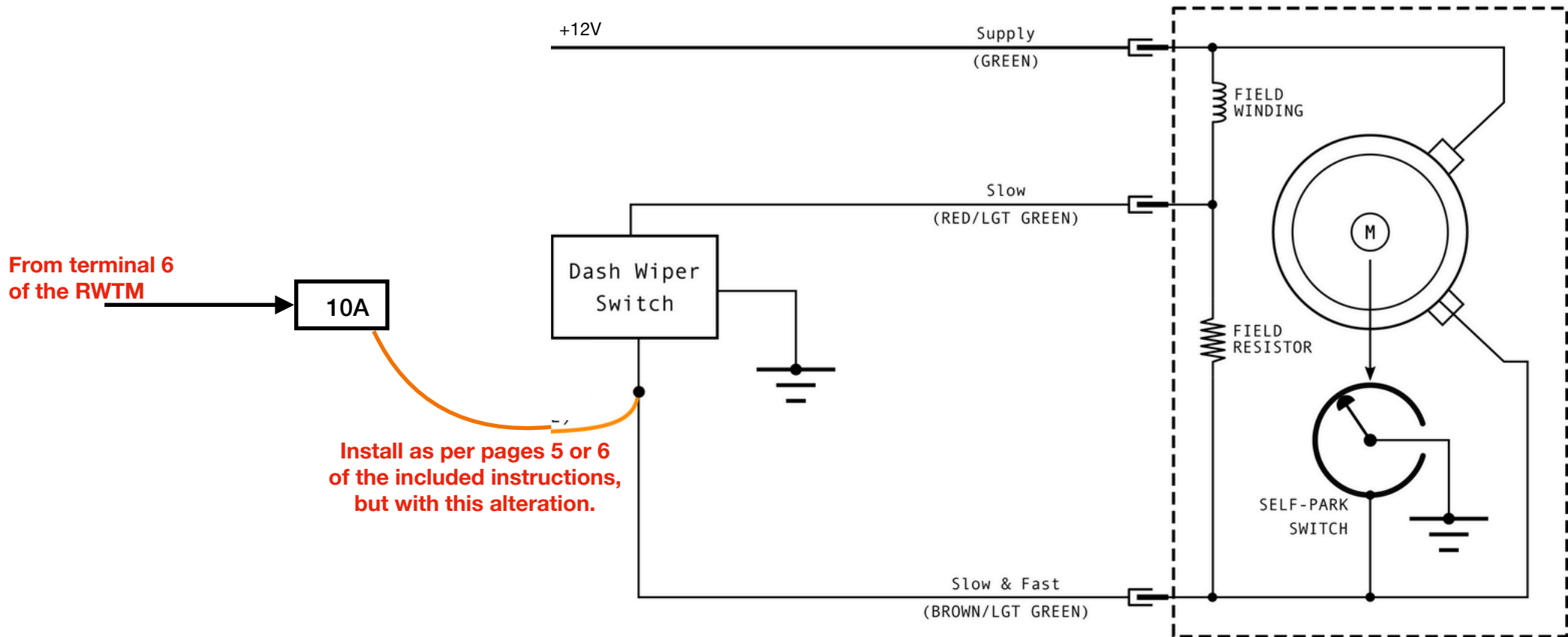


# RWTM v3 Installation to Lucas DR3 Two Speed Wiper Motor.



[www.retronicsonline.com](http://www.retronicsonline.com)

#### IMPORTANT NOTE:

For fast speed, the 'Slow & Fast' connection is taken to earth.

For slow speed, the 'Slow' and the 'Slow & Fast' connection is taken to earth.

It is okay to take the motor's 'Slow & Fast' connection to earth when the 'Slow' connection is not.

The 'Slow' connection should never be taken to earth on its own or the motor's

'Field Resistor' could burn out.