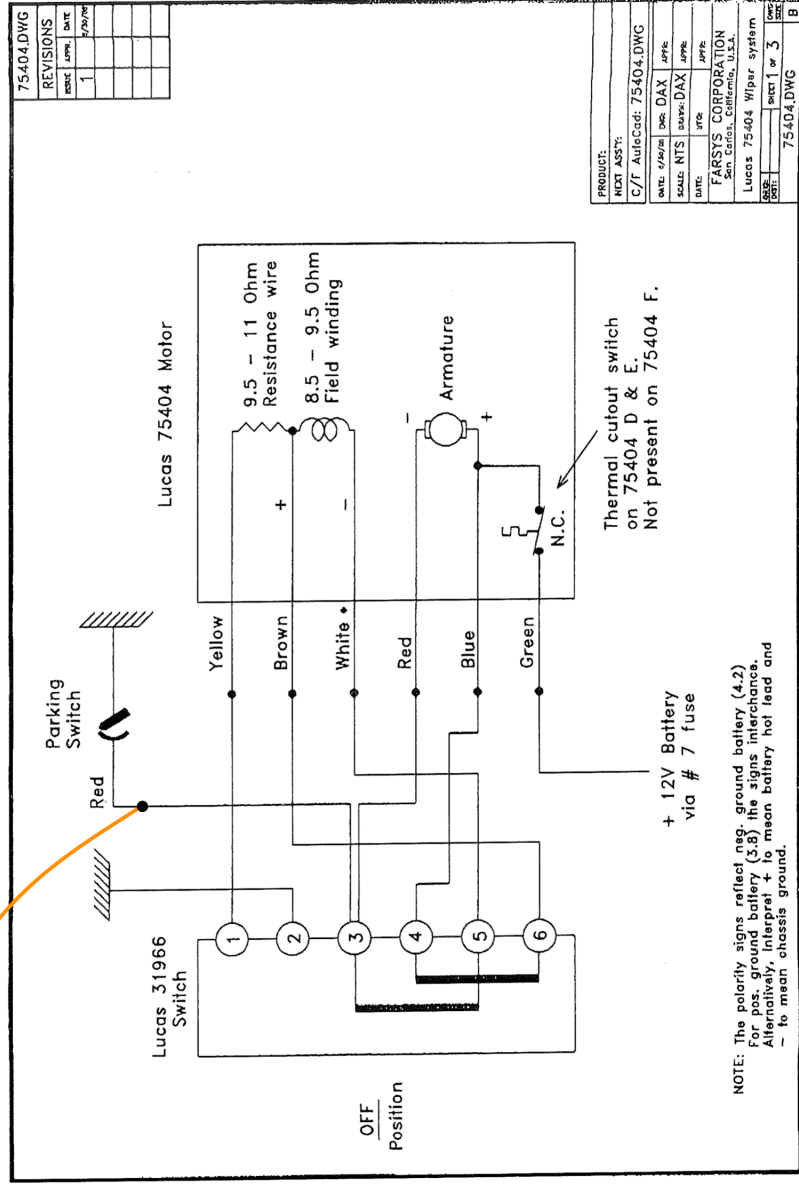
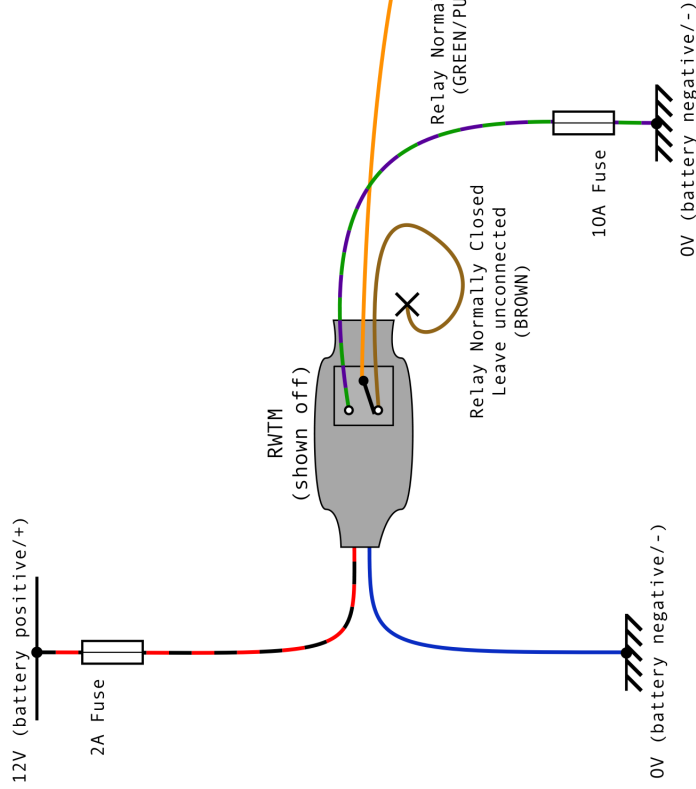


RWTM Installation Diagram: E Type Jaguar - 1965



75404.DWG

REVISIONS	
NO.	DATE
1	7/29/76

PRODUCT:	C/1	Autocod:	75404.DWG
DATE:	7/29/76	DESIGNER:	DAX
SCALE:	NTS	DATE:	DAX
FARSTYS CORPORATION 5th. Galsia, Columbus, U.S.A.			
PROJECT:	Lucas 75404 Wiper system	EXT:	1 or 3
			DWG NO:
			75404.DWG
			B