

RWTM - WINDSCREEN WIPER TIMER MODULE

For self parking wiper motors*

Thank you for purchasing our Wiper Timer Module, we hope it puts the fun back into driving on a drizzly day!

In a vehicle with a wiper system which only switches the wipers on or off (either one or two speed), the RWTM will provide wiper sweep intervals of 2, 3, 4, 8 & 12 seconds.

Designed to work with most common self park wiper motors, once installed and turned on (turn knob clockwise), our Wiper Module will repeatedly activate your wipers in exactly the same way as before, but with an interval between each wiper sweep. The furthest left position (anticlockwise) on the Wiper Module's control knob is the "off" position.

Your original switch will still work as before but must be turned off for our Module to provide the intervals.

Your Module comes with a three year back to base guarantee from your date of purchase. This does not affect your statutory rights.

INSTALLATION INSTRUCTIONS:

The following are installation instructions are for the most common wiper motor types. Our Wiper Module is universal & designed to be usable on nearly all wiper motors. If your wiper motor system is different, please don't hesitate to get in touch & we will work with you to help you correctly install our Module. Please read the following instructions & study the diagrams carefully before installation.

Our Timer Module is simple to install, but if you are in any doubt over your ability to install it correctly & safely, please consult a qualified technician. Please contact Retronics Ltd if you have any queries.

A range of connectors is included with your Module but the types of connectors you use is entirely your choice.

There are two main ways in which self parking wiper motors are connected. Some switch the positive to the motor (for example the Lucas 14W) & some switch the earth (for example, the Lucas DR3). You will need to establish how your wiper motor is switched on & off.

Some wiper motors use a different method (eg: VW campers). Additional information can be found on our website. If in doubt, feel free to email us.

You will find it useful to look at the wiring diagram for your car. Bear in mind your vehicle's wiring may have been changed at some point, or the manufacturer may have changed the wire colours without updating the drawings.

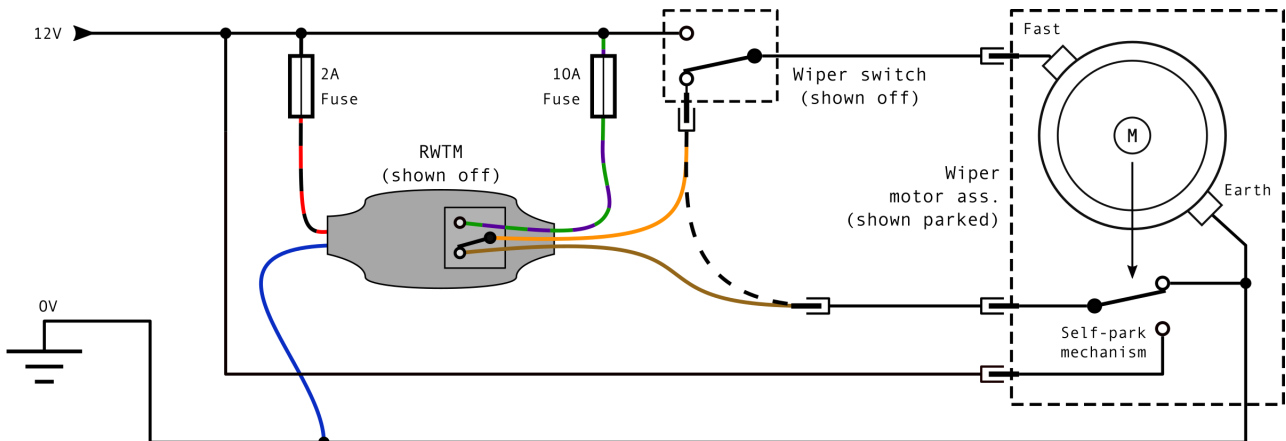
Our Module works with 12V and 6V vehicles, however the Module's PCB requires +12v to operate (via the red/black wire). If you are installing in a 6v vehicle, you will need our RVCU (Voltage Converter Up) between the vehicle's 6v power supply & the Module.

INSTALLATION NOTES:

- Make sure you know whether your vehicle is negative earth or positive earth. The Module's red/black wire should always be taken to battery positive and its blue wire to battery negative.
- Mount the RWTM rotary control switch to the dashboard in a manner of your choice. The control switch shaft can be shortened to suit.
- The Module itself can be mounted behind the dashboard, or wherever you choose.

CONNECTION TO A BATTERY-SIDE SWITCHING WIPER MOTOR:

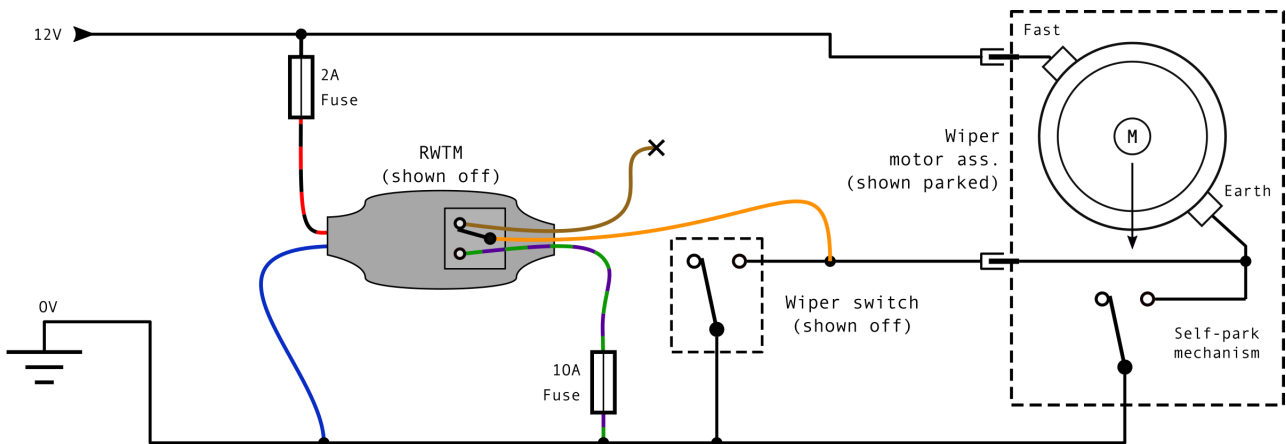
This diagram shows how to connect your RWTM to a typical battery-side switching wiper motor. With this type of motor, you will need to identify the Self Park feed wire which connects between the self-park mechanism and your wiper switch. This wire will be interrupted with the Module's brown and orange wires.



1. Disconnect your vehicle's battery before installation.
2. Connect the RWTM's red/black wire to battery positive, using a 2A fuse.
3. Connect the RWTM's blue wire to battery negative.
4. Disconnect the wire that connects the self park of the motor to the original wiper switch.
5. Connect the RWTM's brown wire to the wiper motor's self park connection.
6. Next connect the RWTM's orange wire to the switch, on the self park feed terminal.
7. Connect the RWTM's green/purple wire to positive, using a 10A fuse
8. Mount the RWTM rotary control switch to the dashboard in a method of your choice. The control switch shaft can be shortened to suit.
9. The Module itself can be mounted behind the dashboard, or wherever you choose.

CONNECTION TO AN EARTH-SIDE SWITCHING SWITCHING WIPER MOTOR:

This diagram shows how to connect your RWTM to a typical earth-side switching wiper motor.



1. Disconnect your vehicle's battery before installation.
2. Connect the RWTM's red/black wire to battery positive, using a 2A fuse.
3. Connect the RWTM's blue wire to battery negative.
4. The RWTM's brown wire is not used. Leave this wire unconnected & seal the end safely.
5. Connect the RWTM's orange wire to the negative feed wire, after the switch.
6. Connect the RWTM's green/purple wire to the wiper motor's (negative) feed wire, before the switch, using a 10A fuse.
7. Mount the RWTM rotary control switch to the dashboard in a method of your choice. The control switch shaft can be shortened to suit.
8. The Module itself can be mounted behind the dashboard, or wherever you choose.

RETRONICS LTD

Registered Office: 18 New Street, Honiton, Devon, EX14 1EY Registered in England, Registration number: 12280789

This product is not recyclable. Please check with your local authority for suitable end of life disposal.

***DISCLAIMER:** This product complies with the GPSR (General Product Safety Regulations). The RWTM is a generic after market product designed to be compatible with the standard wiring systems & self parking wiper motors of most classic vehicles. Retronics Ltd can not guarantee compatibility with all vehicles. It is for the purchaser to satisfy themselves as to the suitability of the RWTM to their vehicle. Retronics Ltd will not be liable for any loss or damage arising from unsuitable or incorrect installations. If in doubt, always consult a qualified technician.